

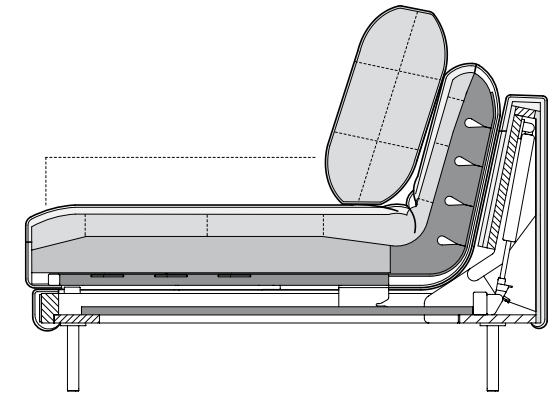
TECHNICAL DATA

ROLF BENZ KAIA

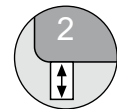


**ROLF
BENZ**

- Metal and wooden inner frame with integrated adjustment function
- Spring system: Glass fibre-reinforced plastic female connectors
- Metal and wooden inner frame glued with polyurethane foam
- The back can be steplessly adjusted down to the relax position
- Cover quilted underneath with non-woven polyester
- Seat with pull-forward capability
- Seat in high-quality cold foam, covered with a downy-soft mat worked into ticking chambers and filled with foam rods and polyester fibres
- Down-like backrest cushions comprising compartments with a filling made of 80 % foam rods and 20 % polyester fibres
- Seat height optionally:
 - 41 cm
 - 44 cm
- Circular tube leg, fine-structured steel, matt powder-coated, optionally available in:
 - RAL 9017 Traffic black
 - RAL 7022 Umbra grey



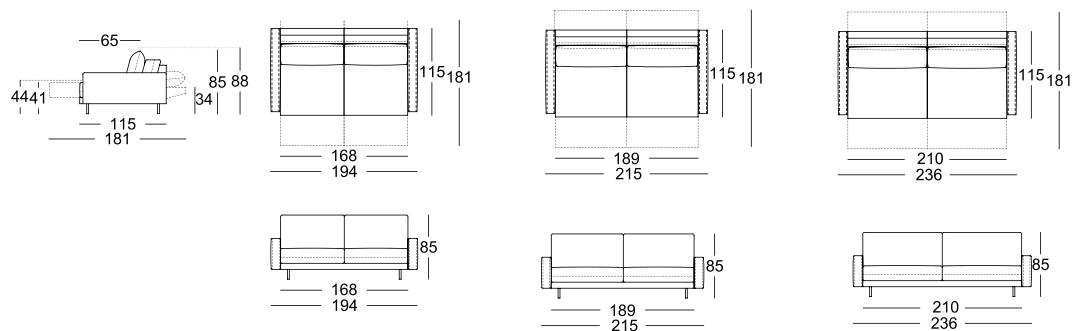
Seat heights available



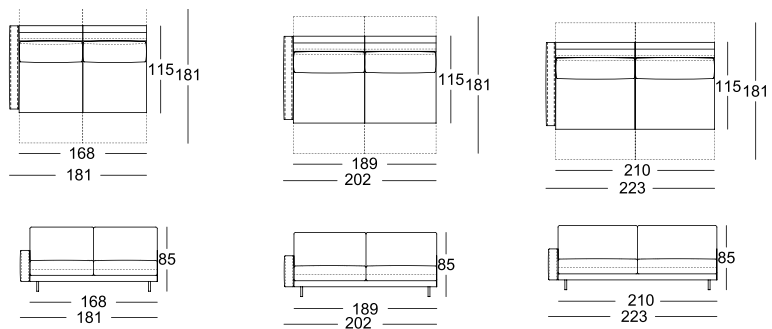
! A high-quality, especially casual upholstery that forms waves/leaves indentations that are typical of the material – this waviness may even occur in new condition. All measurements are approximate.

**ROLF
BENZ**

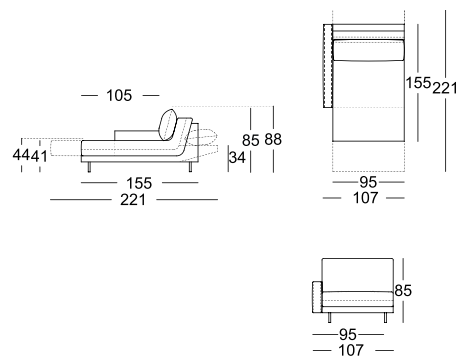
Sofa with adjustable seat und back



Closing sofa with adjustable seat and back*



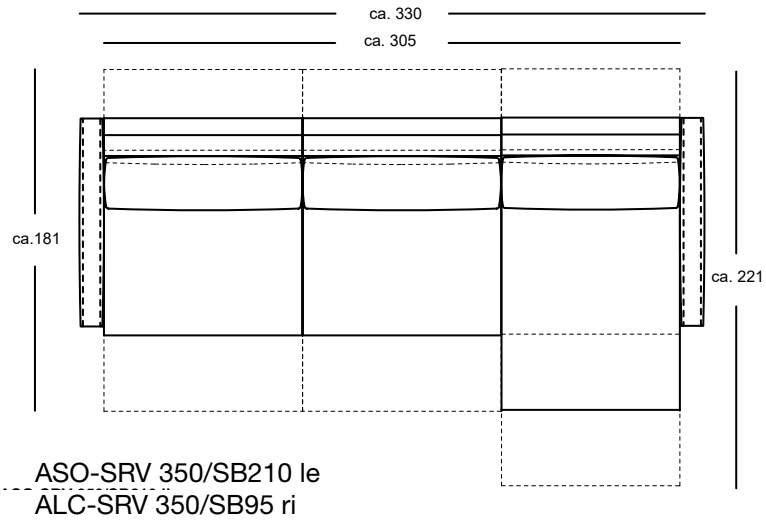
Closing longchair with adjustable seat and back*



Side cushions/Headrest



Combination examples:



*These elements are only shown in the left version. They are also available in the right version.

**ROLF
BENZ**