

TECHNICAL DATA

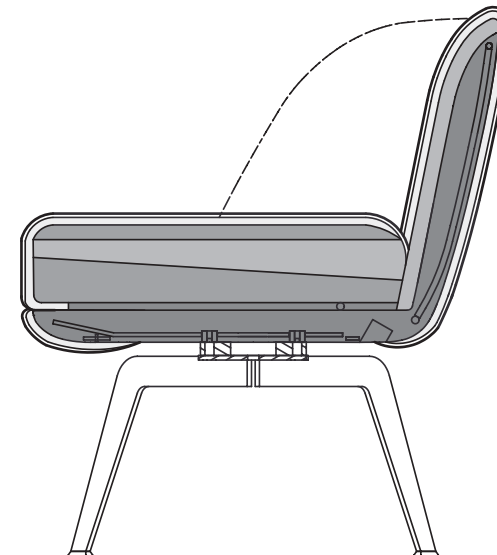
# ROLF BENZ 562

---



**ROLF  
BENZ**

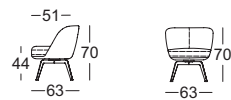
- Seat and back with foam-moulded metal inner frame
- Seat made from polyurethane foam, constructed in layers of different thicknesses and firmnesses, matched to one another, and covered with polyester fleece
- Back pad in polyurethane foam
- Body and back cover quilted underneath with non-woven polyester
- Four-leg solid wood, clear varnish, optionally with or without 360° swivel mechanism:
  - Oak
  - Oak, black pigmented
  - American walnut
- Four-leg metal optionally with or without 360° swivel mechanism:
  - Smooth steel, powder-coated, matt
  - RAL 9017 Traffic black
  - RAL 7022 Umbra grey



! High-quality, casual upholstery that forms waves/leaves indentations that are typical of the material. All measurements are approximate.

Club armchair  
Four-leg wood

Club armchair  
Four-leg metal



**ROLF  
BENZ**